

This End Should Be Installed Up

-WARNING-
Sharp Edges

- ✓ Save Space
- ✓ Save Energy
- ✓ Reduce Fire Hazard



See W-L-7129 Firestop System in
UL Directory Referenced From
File Number R21933.
Complete Marking on Product.

Installation Instructions

1. All standard American clothes dryers have an exhaust port in the center of the rear panel **at the very bottom**. Therefore, it is best to install Dryerbox® as low as possible so that the bottom tab is at or slightly below the finished floor level (not applicable if stackable unit or on a pedestal (Diagram A). The centerline mark on the Dryerbox® should be located as close to the proposed appliance center as possible.
2. This model is for downward exhaust direction. If you are venting up, out or to the side use our original Dryerbox® Model 425 or 350.
3. Consider installing the 4 1/4" deep Down-Box (Model 4D) into a 2x6 wall for the additional depth and location of the pipe penetration within the bottom plate.
4. When installing in an exterior frame wall, you should add insulation or duct board to the back-side of box to minimize condensation and temperature transfer.
5. To achieve a fire resistance rating (one-hour F & T) min. 2X6 wood or metal framing is required. The Dryerbox unit must be installed in accordance with the UL Cabinet System listing. An extra layer of type-X drywall must be installed in the ID of the stud cavity in which the Dryerbox is located. Drywall must be attached to nailers (minimum 1" X 2") located on the inside of the cavity wall studs. Secure nailers to wall framing at max 18 in. OC. The screws used to attach the inner layer of drywall shall be spaced a maximum of 18 inches apart. For metal studs, mineral wool (min density 4 pcf) must fill the entire Dryerbox wall cavity and minimum R13 Fiberglass insulation in adjacent cells. For wood studs, mineral wool or R19 Fiberglass insulation must fill the Dryerbox cavity. Visit www.dryerbox.com/firestop for more detail.
6. Gas line termination options: For black iron pipe, wrap vinyl tape around throat where it penetrates. For corrugated stainless steel tubing, secure the CSST Termination Fitting with a Jamb nut to securely affix the termination to the receptacle. The gas port can be enlarged or relocated easily with a step bit. The best location may be in the center on the bottom return.
7. **Insert the 4" snaplock pipe about 2" through bottom port** for the homeowner to connect the flex transition hose at a later time (Diagram A). Secure with silver tape, foam or caulk.
8. Use a Roto-zip-bit router tool to cut the drywall leaving a **caulk joint** for the painter (Diagram B). It is best to **caulk or mud this void** (required for One-Hour Rating).
9. The baseboard is best terminated with a tapered back-cut into the rim extension on either side of box (Diagram B).
10. Exposed metal can be left unpainted or can be sprayed with an acrylic latex or oil-based (alkyd) paint when the rest of the wall, trim or baseboard is painted.



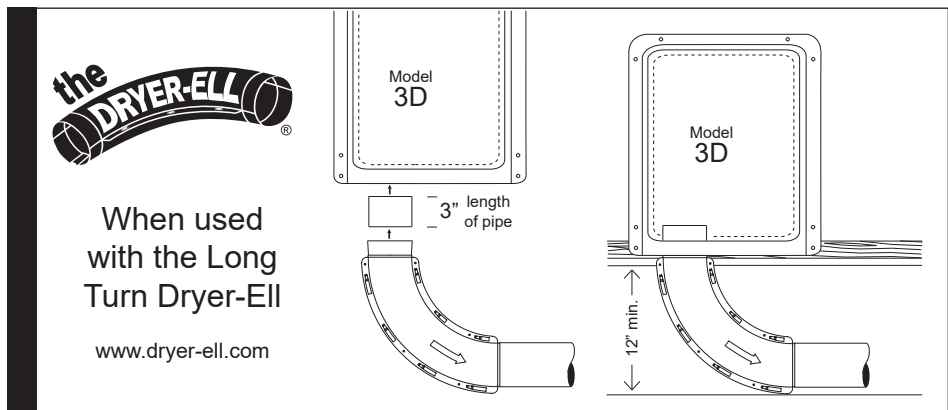
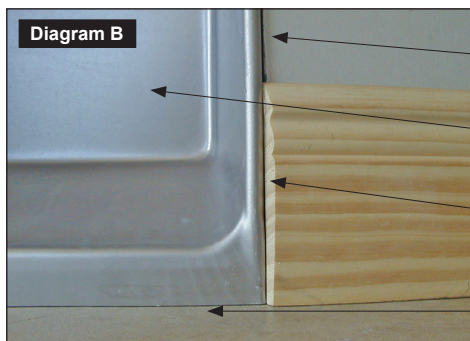
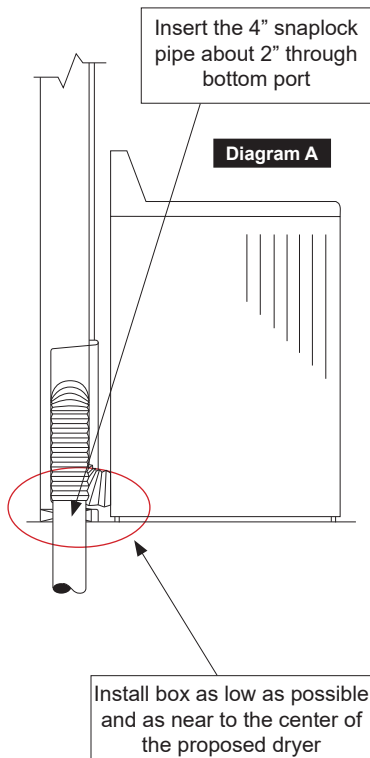
The Down-Box



Caulk void left from router



Line up centerline symbol with proposed center of dryer



InOvate Dryer Products
250 S. Central Blvd. Suite 207
Jupiter, FL 33458 USA

US Patents: 6,419,102
7,731,045

Available throughout the country from supply houses, lumber yards and hardware centers who carry heating, ventilation and air conditioning parts and supplies.

The word Dryerbox is a registered trademark of InOvate Technologies, Inc.
All rights reserved. Made in the USA

Resources for other well made ventilation products by InOvate:
www.Dryer-Ell.com • www.DryerFlex.com • www.DryerJack.com
www.DryerPlacard.com • www.DryerWallVent.com

Toll Free:
(888) 443-7937

More installation instructions at
www.dryerbox.com

Model 3D

(3 1/2" Deep)

Part Number:
DB-3D



8 5 1 7 1 5 0 0 1 6 1 1

The Down-Box™

Locate a distributor near you by using the online supplier locator at www.dryerbox.com